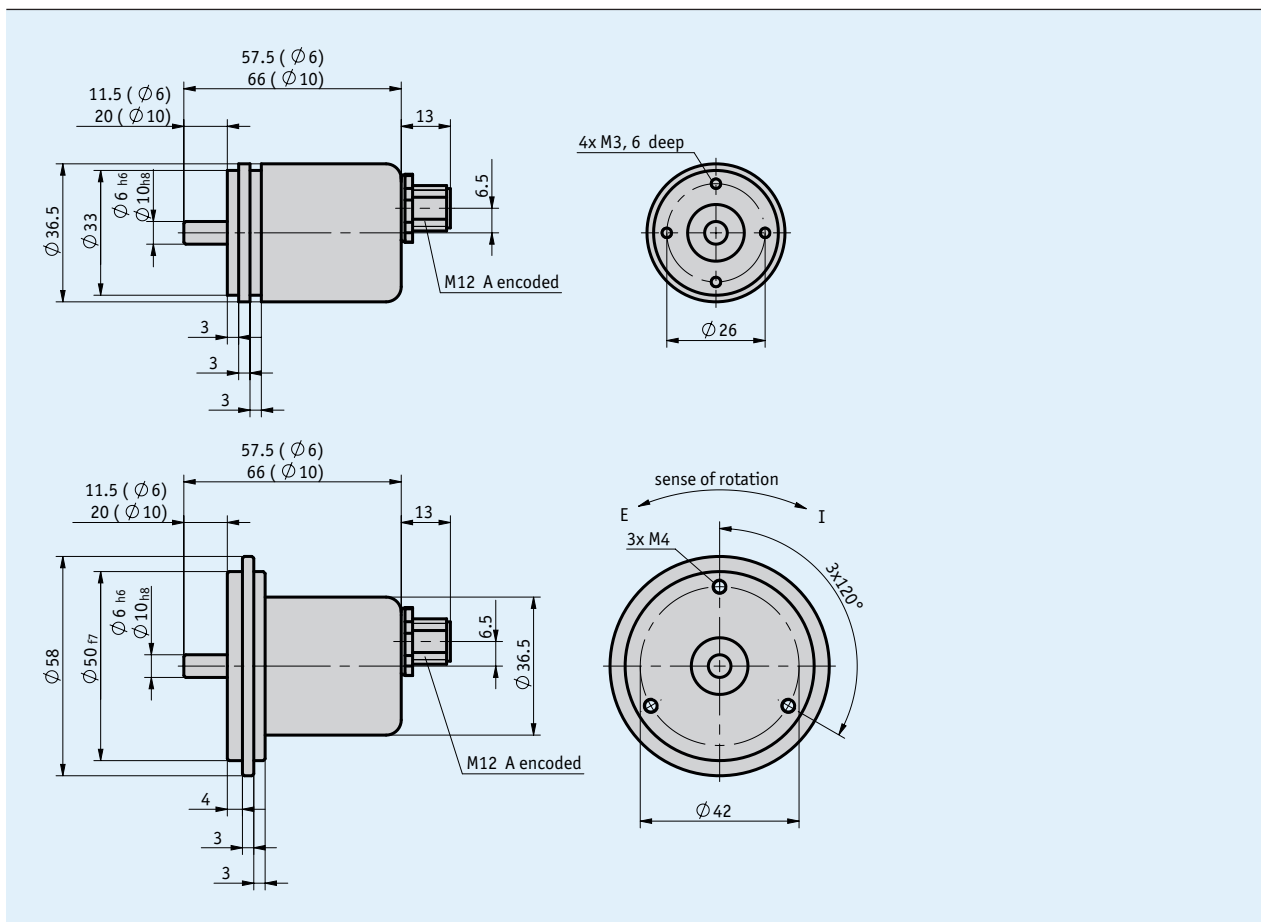


Profile

- Compact design (36.5mm diameter)
- CANopen (DS406) or SAE J1939 interface
- Multi-turn without battery
- Double ball bearings
- 13 bit multi-turn (8192 revolutions)
- 12 bit single-turn (4096 steps)



Mechanical data

Feature	Technical data	Additional information
Shaft	stainless steel	
Flange	aluminum	
Housing	nickel-plated steel	
Speed	≤12000 rpm	
Moment of inertia	≤30 gcm ²	
Starting torque	≤3 Ncm	at 20 °C
Shaft load rating	axial ≤40 N radial ≤110 N	
Weight	~0.15 kg	

Electrical data

Feature	Technical data	Additional information
Operating voltage	9 ... 30 V DC	reverse polarity protected
Power input	≤1.2 W	
Interface	according to ISO 11898, galvanically isolated	CANopen (DS406), SAE J1939
Address	adjustable	via SDO or Layer Setting Service (LSS)
Baud rate	≤1 MBit/s	
Cycle time	≥1 ms	

System data

Feature	Technical data	Additional information
Resolution	4096	
Travel range	4096 revolution(s) 8192 revolution(s)	

Ambient conditions

Feature	Technical data	Additional information
Ambient temperature	-40 ... 85 °C	
Storage temperature	-40 ... 85 °C	
Relative humidity	98 %	condensation inadmissible
EMC	EN 61000-6-2 EN 61000-6-4	interference resistance / immission emitted interference / emission
Protection category	IP65	EN 60529
Shock resistance	≤1000 m/s ² , 6 ms	EN 60068-2-27
Vibration resistance	≤100 m/s ² , 10 Hz ... 1 kHz	EN 60068-2-6

Pin assignment

Signal	PIN
CAN_GND	1
+UB	2
GND	3
CAN_H	4
CAN_L	5

Order

Ordering table

Feature	Ordering data	Specification	Additional information
Interface	CAN	CANopen (DS406)	
	CAN-J1939	SAE J1939	
Number of revolutions	4096	12 bit	
	8192	13 bit	
Mounting type	6/S36	shaft ø6 mm, flange ø36 mm	
	6/S58	shaft ø6 mm, flange ø58 mm	
	10/S36	shaft ø10 mm, flange ø36 mm	
	10/S58	shaft ø10 mm, flange ø58 mm	

Order key

WV36M/CAN - A - 4096 - B - C - M12

Scope of delivery: WV36M/CAN, Mounting instructions

Accessories:

Servo clamp SK

Flexible coupling AK18

Mating Connector Overview

Mating connector, 5-pole, socket

Mating connector, 5-pole, angle socket

www.siko-global.com

www.siko-global.com

www.siko-global.com

Order key 84109

Order key 83006