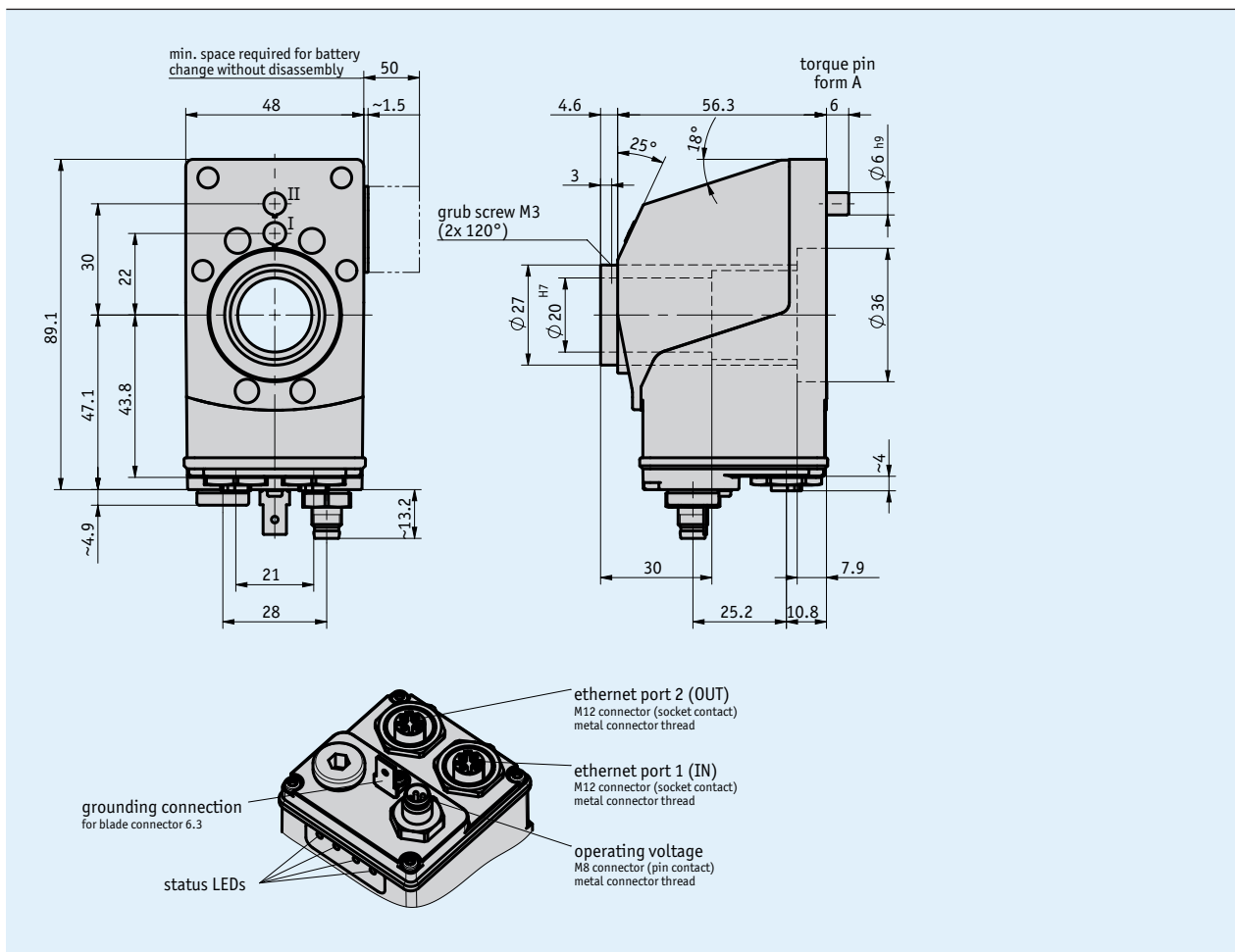


Profile

- Integrated Industrial-Ethernet-Fieldbus
- Backlit two-row LCD
- Display of target and actual value displays with integrated alignment
- Stainless-steel hollow shaft $\varnothing 20$ mm, up to $\varnothing 25.4$ mm as an option
- Robust sensor technology unit thanks to magnetic scanning
- User guidance through status LEDs
- Mechanically compatible with the DA09S and AP10 position indicators
- IP53 type of protection, IP65 as an option
- Industry 4.0 ready



Mechanical data

Feature	Technical data	Additional information
Shaft	stainless steel	
Housing	reinforced plastic	plug thread, nickel-plated brass/cover, metal ground connection
Color	black	
Speed	≤ 500 rpm	
Weight	~ 0.3 kg	

Electrical data

Feature	Technical data	Additional information
Operating voltage	24 V DC $\pm 20\%$	reverse polarity protected
Current consumption	~100 mA	
Battery service life	~8 year(s)	
Parameter storage	10 ⁶ cycles	also applies to calibration operations
Display/display range	6-digit LCD 14-segment, ~8 mm high -199999 ... 999999	decimal points, 2 rows, special characters (backlit LED red/white) expanded display area to -999999
Special character	cw arrow, ccw arrow, incremental measurement, battery	
Status display	2x two-color LED (red/green)	position status, configurable
Keys	incremental measurement function, parameterizing, resetting	
Interface	Ethernet/IP, Profinet PROFINET EtherCAT POWERLINK	
Type of connection	1x M8 plug connectors (A-coded) 2x M12 plug connectors (D-coded) grounding via flat connector 6.3 mm	4-pole, 1x pin 4-pole, 2x socket

System data

Feature	Technical data	Additional information
Scanning	magnetic	
Resolution	880 increments/revolution	displayed value/revolution freely configurable
Measuring range	≤ 190650 revolution(s)	coded

Ambient conditions

Feature	Technical data	Additional information
Ambient temperature	0 ... 60 °C	
Storage temperature	-20 ... 80 °C	
Relative humidity		condensation inadmissible
EMC	EN 61326-1	industrial immunity requirements, class B emission limit
Protection category	IP53 IP65	EN 60529, only with mating connector EN 60529, only with mating connector
Shock resistance	500 m/s ² , 11 ms	EN 60068-2-27
Vibration resistance	100 m/s ² , 5 ... 150 Hz	EN 60068-2-6

Pin assignment

■ Ethernet

Signal	PIN
Tx+	1
Rx+	2
Tx-	3
Rx-	4

■ Operating voltage

Signal	PIN
reserved	1
reserved	2
+UB	3
GND	4

Industry 4.0

In most cases, data exchange with the position indicators is limited to the exchange of process data. In addition to the process data, intelligent displays provide additional information that can be evaluated for condition monitoring up to predictive maintenance:

Process Data	Smart Value	Smart Function
Actual position	Temperature	Temperature wave/ environment
Target position	Battery voltage	Battery change planning Web server (EPN, EIP)

Order

Ordering table

Feature	Ordering data	Specification	Additional information
Interface/protocol	ECT	EtherCAT	
	EIP	EtherNet/IP	
	EPL	POWERLINK	
	EPN	PROFINET	
Hollow shaft/diameter	20	∅20 mm	
	25.4	∅25.4 mm	
	RH14	∅14 mm	adapter sleeve
Torque pin/position	II	distance 30 mm	
	I	distance 22 mm	
Protection category	IP53	IP53	
	IP65	IP65	
Viewing window	SF	front foil	
	K	plastic	impact protection

Order key



Scope of delivery: AP20, Mounting instructions

Accessories:

Clamping plate KPL09	www.siko-global.com
Pneumatic clamping plate KP09P	www.siko-global.com
Battery unit ZB1027	www.siko-global.com
Reduction sleeve RH09	www.siko-global.com
Cable extension KV04S1	www.siko-global.com
Mating Connector Overview	www.siko-global.com
Mating connector, operating voltage, 4-pole, socket	Order key 84209
Mating connector, port 1 + port 2, 4-pole, pin	Order key 87601
Mating connector, port 1 + port 2, 4-pole, angular pin	Order key 87600
Intermediate plate	Order key 89908