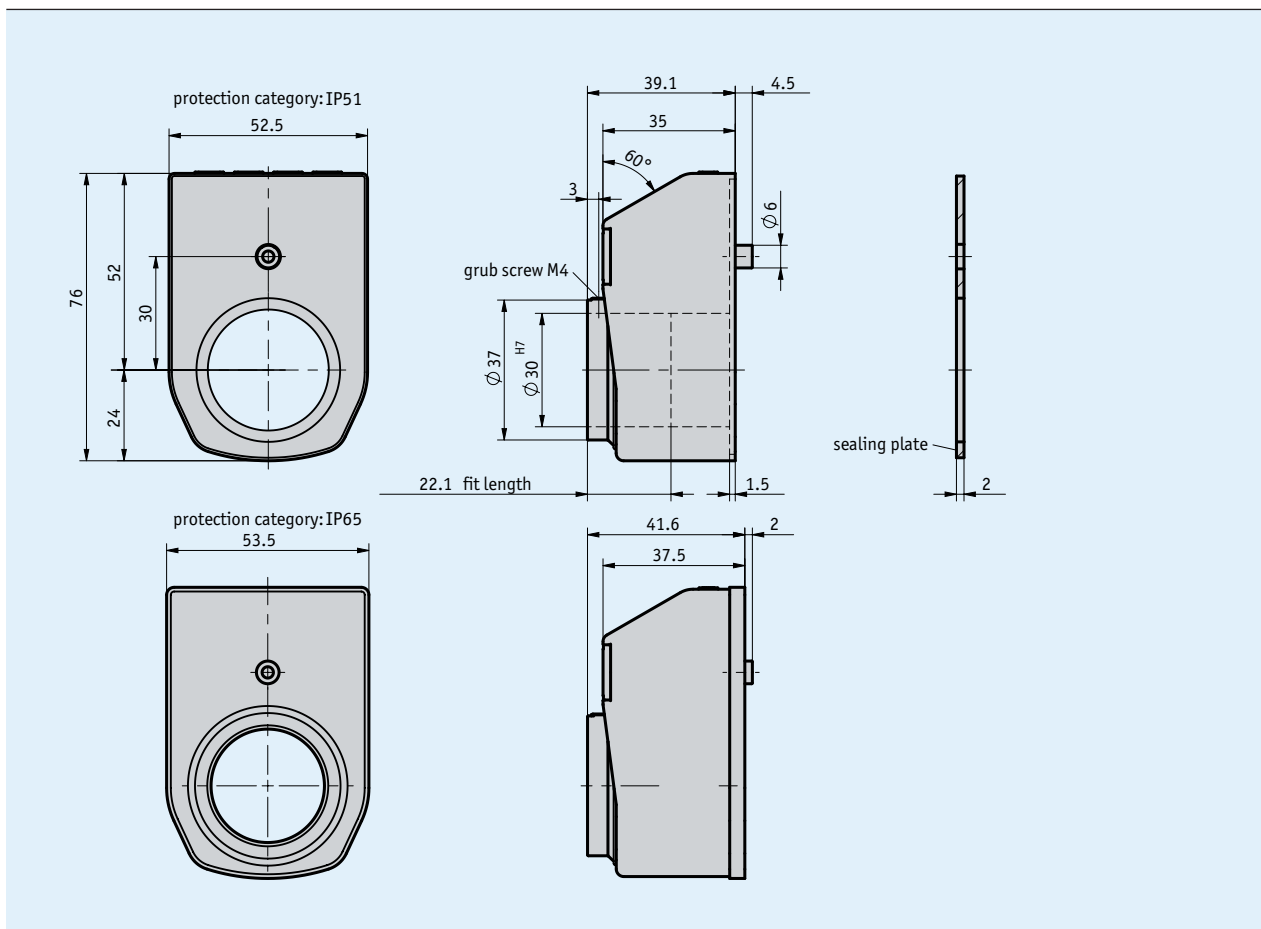


Profile

- Freely programmable directly via buttons on the device
- Hollow shaft, max. \varnothing 30 mm
- Stainless-steel hollow shaft
- LCD display with 6 digits and special characters
- Digit height approx. 11 mm
- Long battery life
- Easily replaceable batteries (standard AAA)
- Incremental measurement function, absolute value display
- High degree of protection



Mechanical data

Feature	Technical data	Additional information
Shaft	stainless steel (supported in friction bearings)	($\leq \varnothing 30H7$)
Housing	plastic	
Speed	≤ 600 rpm	(100 % ED)
Weight	~ 0.13 kg	

Electrical data

Feature	Technical data	Additional information
Operating voltage	2x 1.5 V DC, >1000 mAh	2x AAA batteries, ~2-year service life
	integrated battery compartment	replaceable by customer
Display/display range	6-digit LCD 7-segment, ~11 mm height	-99999 ... 999999

System data

Feature	Technical data	Additional information
System accuracy	±0.25°	

Ambient conditions

Feature	Technical data	Additional information
Ambient temperature	-10 ... 60 °C	
Storage temperature	-30 ... 80 °C	
Relative humidity		condensation inadmissible
EMC	EN 61000-6-2	interference resistance / immission
	EN 61000-6-4	emitted interference / emission
Protection category	IP51, IP65	EN 60529
Shock resistance	300 m/s ² , 15 ms	EN 60068-2-27
Vibration resistance	100 m/s ² , 5 ... 150 Hz	EN 60068-2-6
	200 m/s ² , 100 Hz ... 2 kHz	EN 60068-2-6

Order

Ordering table

Feature	Ordering data	Specification	Additional information
Hollow shaft/diameter	30	A	ø30 mm
	20		ø20 mm
	...	RH12, RH14, RH25	reducing bushes
		others on request	
Color	0	B	orange RAL 2004
	S		black RAL 9005
Protection category	IP51	C	IP51
	IP65		IP65

Order key



Scope of delivery: DE10P, Mounting instructions

Accessories:
Reduction sleeve RH

www.siko-global.com